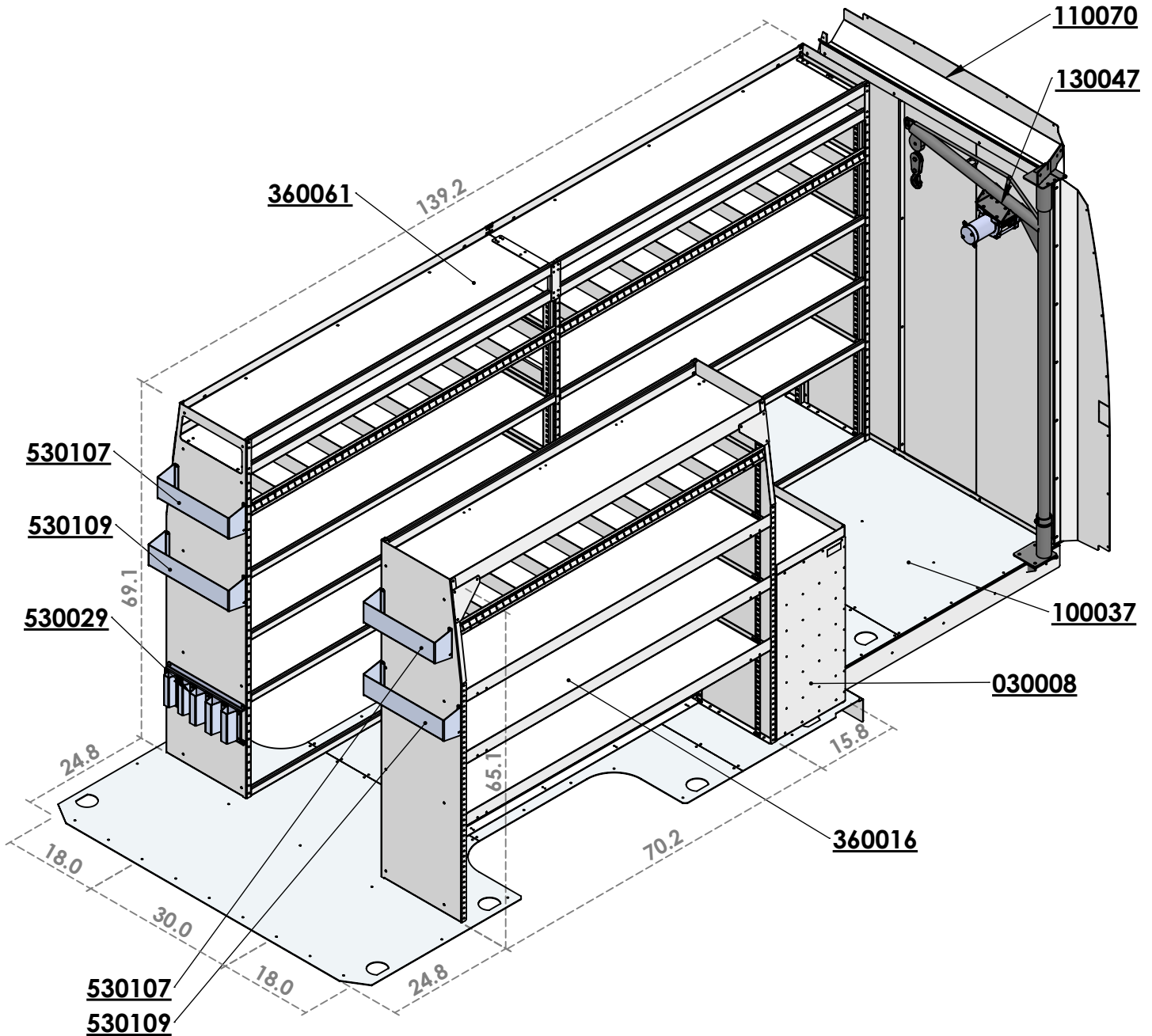


SP5123

07+ Sprinter - HR 170WB Std DRW - Plumber

- » Durable & lightweight aluminum construction
- » 18" deep fully adjustable shelves maximize storage space
- » Easy & secure storage for full-length pipe



9	530109	Tray 18w x 4h x 4d	2
8	530107	Tray 16w x 4h x 4d	2
7	530029	Wrench Holder Mount	1
6	030008	Milwaukee Packout Tower	1
5	130047	Hoist - Side Door B-Pillar	1
4	110070	Headboard High-Roof - Solid	1
3	360016	Std Shelving Unit - 18" x 65" x 70" - 4 Shelves	1
2	360061	Pipe Tray Shelving Unit - 18" x 69" x 139" - 4 Shelves	1
1	100037	Sprinter Flooring w/Flashing - ATB	1

#	Part No.	Description	QTY.
---	----------	-------------	------

